

# MARCO POLO



HEAVY DUTY US MORTISE  
DOOR LOCK

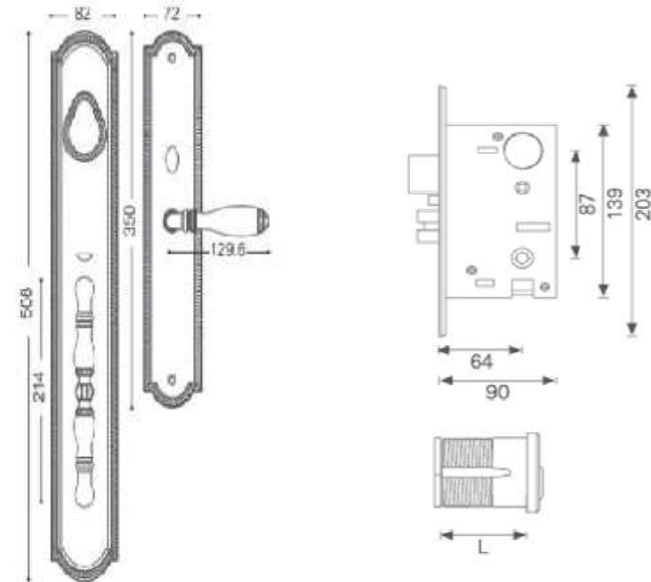
M01-E8001-02-6401-US32/US32D



*The "MARCO POLO" Heavy Duty US  
Mortise lock provides the ideal highest security  
standard for your premises*



*Your Partner in Professional Finishing  
Hardware*



**COMPLETE WITH: 64 OR 70MM  
BACKSET, U.S. MORTISE LOCK CASE  
GRAB HANDLE SET IN EXTERIOR  
MORTISE THREADED CYLINDER  
SCREW PACK & DECORATED COVER  
PLATE LEVER OR KNOB, 8X8MM  
SPLIT TYPE SPINDLE KNOB WITH  
4MM SPINDLE**

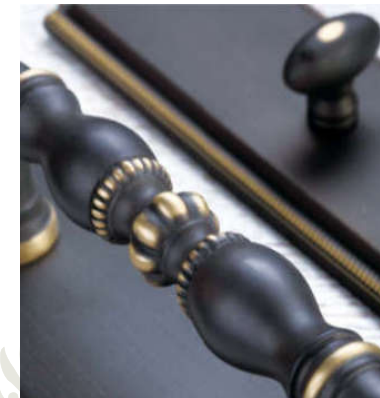


AMERICAN MORTISE GRAB HANDLE SET



**PRODUCT SPECIFICATIONS:**

- Finish Available: 103-PC, 305-ACB
- Deadbolt: 1"(25mm)throw 2 pcs. Hardened steel rod
- Latch Bolt: Standard 3/4"(18mm)x 1"(25mm) extension throw
- Latch Backset: STD. 64mm, OPT. 70mm, 90mm
- Latch Face Plate: Square cornered 1-3/8"(32mm) x 8 1/4"(204mm)
- Strike: Half lip strike 1-7/8"(47mm) x 4-3/4"(119mm)
- Cylinder and Keys: M=solid Brass Dimple cylinder with 3 nickel plated keys  
N=solid Brass traditional cylinder with 3 nickel plated keys
- Handing: Left / Right handed
- Door Thickness: Standard: 1-5/8"(38mm) to 2"(51mm)  
Option: 2"(51mm) to 2-3/8"(61mm)  
Specify when order



**MANILA CAPITCO CORPORATION**

Unit 6B, 2nd Floor DOLMAR Bldg. U.N. Avenue  
Paco Manila, Metro Manila Philippines

Phone: 02.3536302

Telefax: 02.3536301

E-mail: manila@capitco.com.hk