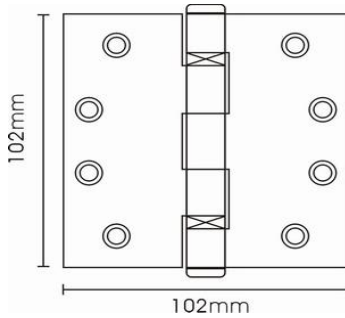
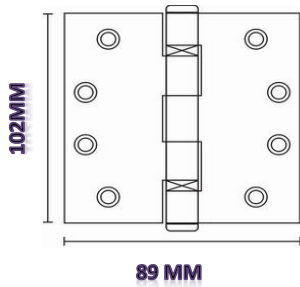
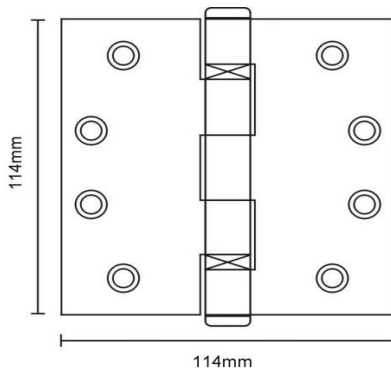
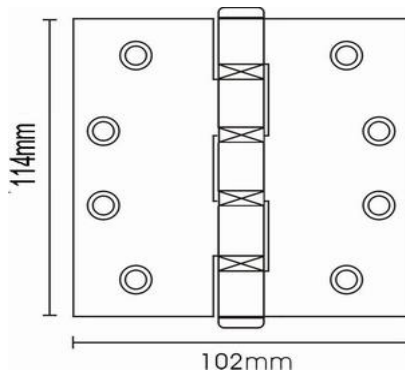




# FULL MORTISE BUTT HINGE WITH 2/4 BALL BEARING



**4BB**



## FINISH AVAILABLE:

FIN	US Symb.	BHMA#
PS	US32	629
SS	US32D	630
AB	US5	638
PB	PVD/US3	632



## MATERIAL :

- \* SUS 304 STAINLESS STEEL PIN
- \* SUS 304 BEARING WITH STEEL BALL
- \* SUS 304 PIN & PLUG
- \* SUS304 COUNTER SUNK SCREWS

## FEATURE:

- \* FIVE KNUCKLE
- \* TWO / FOUR BALL BEARINGS
- \* TEMPLATED DRILL SUIT FOR TIMBER OR METAL DOORS

## PERFORMANCE:

- \* NON-RISING PIN, BS.EN1935-CLASS 13
- \* FOR USE ON STANDARD DOOR WITH STANDARD FREQUENCY USE

## FIRE TEST:

- \* COMPLIES TO NFPA80 REQUIREMENT FOR USE ON FIRE RATED DOOR
- \* COMPLIES TO PSB / WARRINTON FIRE ASSESMENT
- \* BS EN1634

## OPTION

- \*NON-REMOVABLE PIN, LOOSE PIN, SECURITY STUD, CONCEAL BEARING, DECORATIVE TIP, WIDE THROW

MODEL	HINGES SIZE / MM	HOLES	SCREWS / MM	
			WOODEN	METAL
SH3035-FIN/2BB	89X89X3.0	6	#10X32	M5X16
SH3043-FIN/2BB	102X76X3.0	6	#12X32	M6X16
SH30435-FIN/2BB	102X89X3.0	8	#12X32	M6X16
SH3044-FIN/2BB	102X102X3.0	8	#12X32	M6X16
SH30454-FIN/2BB	114X102X3.0	8	#12X32	M6X16
SH3045-FIN/2BB	114X114X3.0	8	#12X32	M6X16
SH3054-FIN/2BB	127X114X3.0	8	#12X32	M6X16

2 pieces of hinge are specified for door leaf up to 1520(H)\*930(W)mm and an additional hinge for every 760mm increasing of door height