

MARCO POLO



HEAVY DUTY US MORTISE
DOOR LOCK

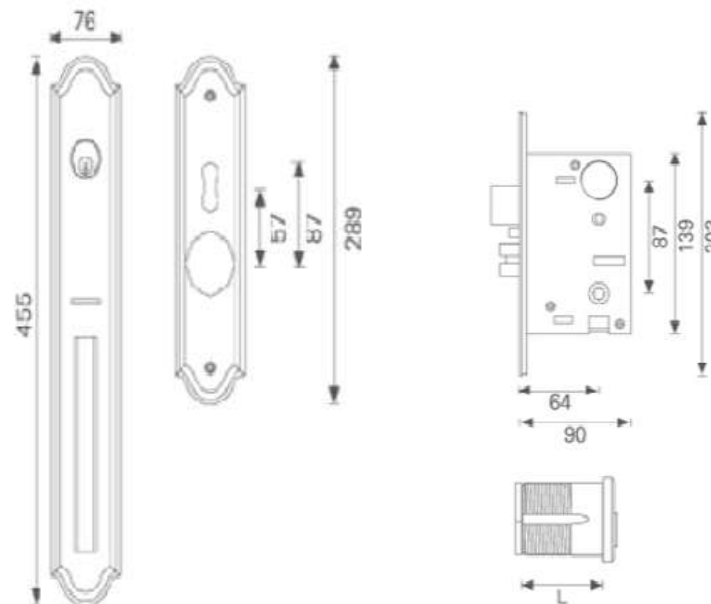
M01-GB200-02-6401-US32/US32D



*The "MARCO POLO" Heavy Duty US
Mortise lock provides the ideal highest security
standard for your premises*



*Your Partner in Professional Finishing
Hardware*



**COMPLETE WITH: 64 OR 70MM
BACKSET, U.S. MORTISE LOCK CASE
GRAB HANDLE SET IN EXTERIOR
MORTISE THREADED CYLINDER
SCREW PACK & DECORATED COVER
PLATE LEVER OR KNOB, 8X8MM
SPLIT TYPE SPINDLE KNOB WITH
4MM SPINDLE**



AMERICAN MORTISE GRAB HANDLE SET



PRODUCT SPECIFICATIONS:

| | |
|--------------------|---|
| Finish Available: | US3, US4, US5, US15, US26, US26D |
| Deadbolt: | 1"(25mm)throw 2 pcs. Hardened steel rod |
| Latch Bolt: | Standard 3/4"(18mm)x 1"(25mm) extension throw |
| Latch Backset: | STD. 64mm, OPT. 70mm, 90mm |
| Latch Face Plate: | Square cornered 1-3/8"(32mm) x 8 1/4"(204mm) |
| Strike: | Half lip strike 1-7/8"(47mm) x 4- 3/4"(119mm) |
| Cylinder and Keys: | M=solid Brass Dimple cylinder with 3 nickel plated keys N=solid Brass traditional cylinder with 3 nickel plated keys |
| Handing: | Left / Right handed |
| Door Thickness: | Standard: 1-5/8"(38mm) to 2"(51mm) Option: 2"(51mm) to 2-3/8"(61mm) Specify when order |



MANILA CAPITCO CORPORATION

Unit 6B, 2nd Floor DOLMAR Bldg. U.N. Avenue
Paco Manila, Metro Manila Philippines

Phone: 02.3536302/ 02.5333072

Telefax: 02.3536301

E-mail: manila@capitco.com.hk