

MARCO POLO



HEAVY DUTY US MORTISE
DOOR LOCK

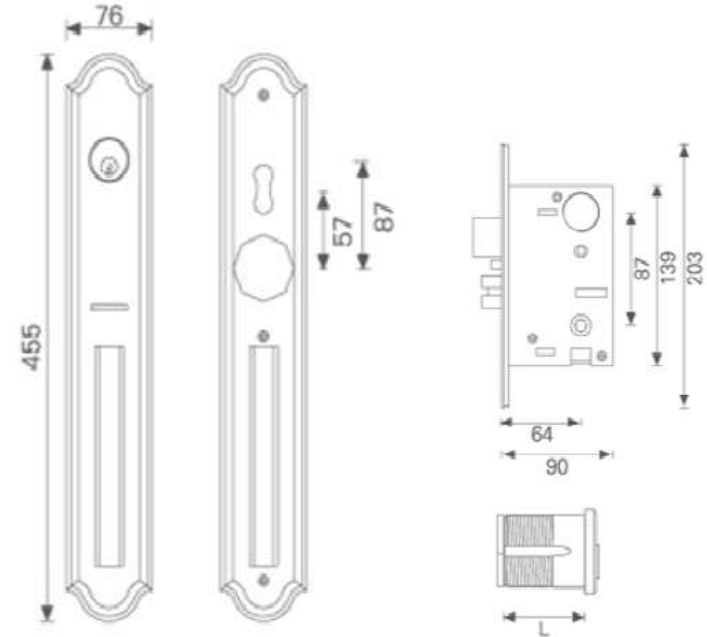
M01-GB600-02-6401-US32/US32D



*The "MARCO POLO" Heavy Duty US
Mortise lock provides the ideal highest security
standard for your premises*



*Your Partner in Professional Finishing
Hardware*



**COMPLETE WITH: 64 OR 70MM
BACKSET, U.S. MORTISE LOCK CASE
GRAB HANDLE SET IN EXTERIOR
MORTISE THREADED CYLINDER
SCREW PACK & DECORATED COVER
PLATE LEVER OR KNOB, 8X8MM
SPLIT TYPE SPINDLE KNOB WITH
4MM SPINDLE**



PRODUCT SPECIFICATIONS:

Finish Available:	US3, US4, US5, US15, US26, US26D
Deadbolt:	1"(25mm)throw 2 pcs. Hardened steel rod
Latch Bolt:	Standard 3/4"(18mm)x 1"(25mm) extension throw
Latch Backset:	STD. 64mm, OPT. 70mm, 90mm
Latch Face Plate:	Square cornered 1-3/8"(32mm) x 8 1/4"(204mm)
Strike:	Half lip strike 1-7/8"(47mm) x 4- 3/4"(119mm)
Cylinder and Keys:	M=solid Brass Dimple cylinder with 3 nickel plated keys N=solid Brass traditional cylinder with 3 nickel plated keys
Handing:	Left / Right handed
Door Thickness:	Standard: 1-5/8"(38mm) to 2"(51mm) Option: 2"(51mm) to 2-3/8"(61mm) Specify when order



MANILA CAPITCO CORPORATION

Unit 6B, 2nd Floor DOLMAR Bldg. U.N. Avenue
Paco Manila, Metro Manila Philippines

Phone: 02.3536302/ 02.5333072

Telefax: 02.3536301

E-mail: manila@capitco.com.hk